

Features

- Easily set your own combination
- Secure: 10,000 possible combinations
- Secure: Solid metal construction and secured inside solid metal hitch receiver
- Easy to install and use
- Attractive dust cover conceals and protects HitchSafe™
- Stores up to 9 keys
- Stores up to two cards -- credit cards and/or driver's license
- Utilize and protect the gaping hitch receiver hole with something functional!
- Patented Hitch Pins secure HitchSafe™ via sliding bars from INSIDE requiring removal of combined drawer to access



**You Are Locked Out of Your Vehicle
Do You Know Where
Your Spare Keys Are?**

Be Sure With HitchSafe™

**Secure access to your keys
when you need them most!**

The HitchSafe™ gives you peace of mind that you will never be locked out again and your keys will always be there when you need them most! No magnets falling off at first bump, plus your items are tightly secured inside the solid metal hitch receiver with the only access possible being the 10,000 combination drawer.

The HitchSafe™ offers another bonus of holding up to two credit cards and/or driver's license. Great for outdoor sports where carrying keys is a hassle and your credit cards/cash left in the vehicle would otherwise run the risk of being stolen.

Hitch Safe™

Never Be Locked Out Again!

Secure, Concealed Key Storage



Secures spare car, boat and even home keys.

Secure your valuables during outdoor sports!

Secures license, credit cards and cash.

- 🔑 **Secures INSIDE 2" hitch receiver**
- 🔑 **Drawer has 10,000 possible combinations**
- 🔑 **Set your own combination**
- 🔑 **Never be locked out again!**

Dust cover conceals & protects dials

Easily set your own combination



Store spare keys for your car, boat or home. Great for securing credit cards and cash during outdoor activities.

Sliding bars secure Hitch Pins from the inside

Hitch Safe™
Never Be Locked Out Again!

800-654-1786
info@hitchsafe.com

18424 HWY 99
Lynnwood WA 98037

www.hitchsafe.com



Security and peace of mind

Using the HitchSafe



Remove the dust cover and input your personal 4 digit combination



Retrieve keys, cash, credit cards or driver's license

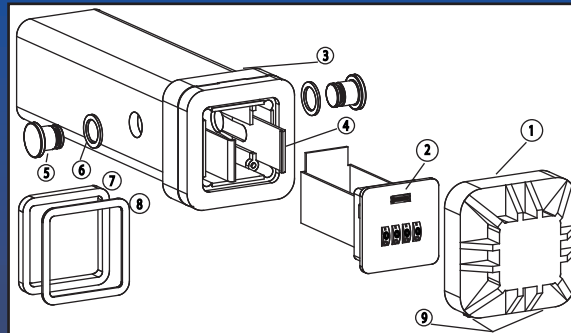
Secure inside solid metal hitch receiver

Two hitch pins are secured from INSIDE the HitchSafe and can only be removed after the combination drawer is removed

Dust cover protects and conceals

The stylish dust cover protects the combination dials from dirt and grime. Concealed behind the dust cover is your security and peace of mind that your keys will always be there when you need them most!

Installation



Easy Installation of the HitchSafe into the Receiver

1. Remove dust cover (1) by gripping cover releases (9) and pull cover out and up.
2. Set drawer dials to opening combination (factory default 0-0-0-0)
3. Remove drawer by pushing down on drawer release (2)
4. Remove both pins (5) and foam washers (6) and insert HitchSafe into your hitch receiver (3)
5. Insert HitchSafe and line up its pin holes with receiver's (3) pin holes. You may need to remove one of the foam spacers.
6. Pull out both pin retaining bars (4) to their fullest extent
7. Insert pin (5) and foam washer (6) into hole of receiver/HitchSafe. Push the sliding bar (4) in so that the bar locks pin in place by fitting into groove on the end of pin.
8. Insert combined drawer. Make sure drawer release lever (2) is up to latch and scramble dials.
9. Place the top part of dustcover (1) so metal hooks at top fit into slots on top of HitchSafe flange. Click solidly into place cover releases (9) into their corresponding slots at bottom of HitchSafe flange.

Combination Drawer

The combination on the drawer can easily be changed once the drawer is out. On the right hand side of the drawer is a change screw that when turned in the vertical position allows the combination to be changed at any time.

Applications



Great for **outdoor sports** where carrying keys are a hassle. Secure your credit card/cash and driver's license in the HitchSafe rather than risking them being stolen from your vehicle.

Never be locked out!
Store spare keys to your vehicle, home, etc. with secure access to your keys when you need them most!



RV's
Store spare keys & provide easy, secure access for others.

Dealerships

Ensure that your marketing has long-lasting impact by being totally integrated with the functional HitchSafe™ that provides your customer with peace of mind they will never be locked out again.

